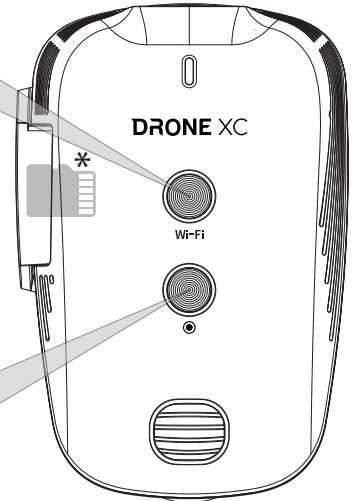


## Button Actions

Wi-Fi	
Single Press	On/Off
15 Second Hold	Format SD card

Rec	
Single Press	Manual video capture
5 Second Hold	Enable/Disable the microphone



## LED Reference

Status LED <small>(Inside Facing)</small>	
Parking Mode (Shock or Motion) - Recording	Blinking (1s)
Parking Mode - Recording Stopped	Solid
Parking Mode - Disabled	Off
Parking Mode - Enabled (Event only)	Off
Driving (Ignition On) - Recording	Blinking
Driving (Ignition On) - Recording Stopped	Solid
Driving (Ignition On) - Camera Off	Off
<b>*SD Card removed - This state will override all other LED status states</b>	Solid

Security LED <small>(Outside Facing)</small>	
Parking Mode (Shock or Motion) - Recording	Blinking (1s)
Parking Mode - Recording Stopped	Off
Parking Mode - Disabled	Off
Driving (Ignition On) - Recording	Off
Driving (Ignition On) - Recording Stopped	Off
Driving (Ignition On) - Camera Off	Off
<b>*SD Card removed - This state will override all other LED status states</b>	Off